

# THE ENDEAVOUR oil hydraulic lift



## Builder's Information

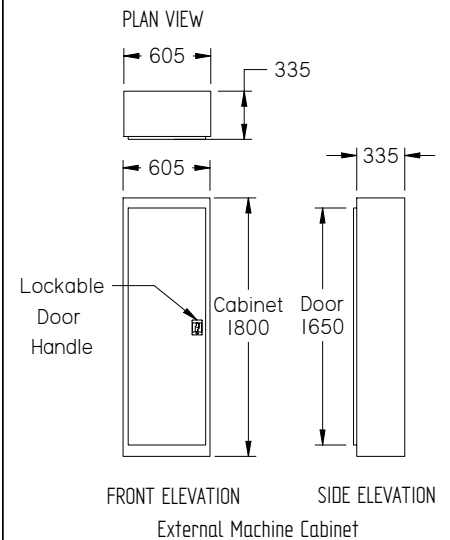
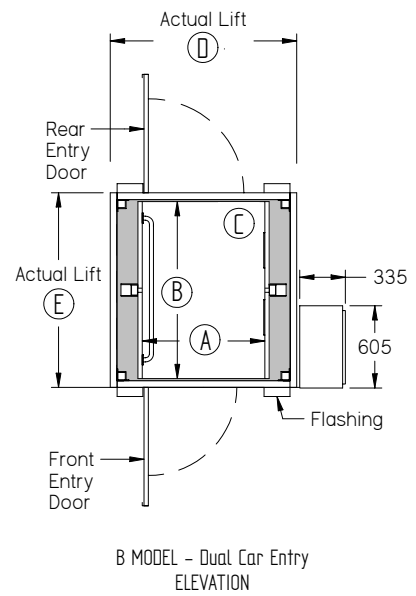
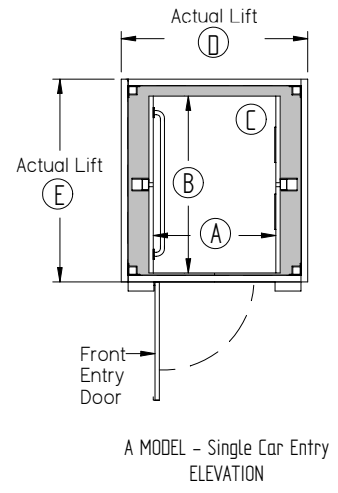
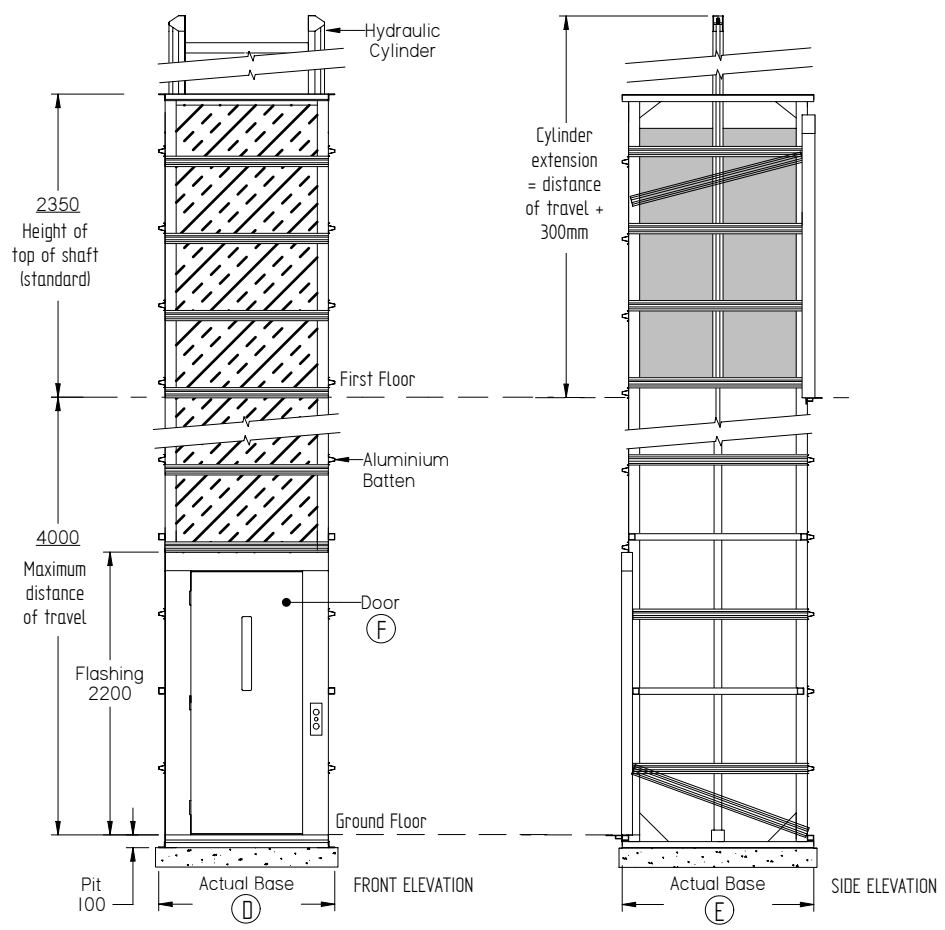
Supplied as a self supporting unit the lift requires no load bearing walls.

If selected, the aluminium battens on the lift can be set up to assist in cladding directly to the lifts tower.

Power requirements: Single Phase 240V 16amp.

Phone: extension of home phone line

For technical details or confirmed slab & penetration measurements please contact one of our qualified Lift Consultant



Lift Measurements						
Description	Car Width	Car Depth	Car Height	Shaft Width	Shaft Depth	Door Width
Key	A	B	C	D	E	F
Single entry - Standard	900	1300	2100	1350	1470	870
Dual entry - Standard	900	1300	2100	1350	1410	870
Single entry - Deluxe	1100	1400	2100	1575	1585	920
Dual entry - Deluxe	1100	1415	2100	1575	1525	920

PLEASE NOTE. If overhead height is an issue for the cylinder extension, they can be lowered into a trench below the lift's standard 100mm pit. These are indicative drawings. Please speak to one of our friendly Lift Consultants for further information on lift requirements.

For confirmation of measurements please contact your local Endeavour supplier. These dimensions and specifications are a guide only and must not be used for construction purposes.

<b>DRw: 131101_284</b>		
DRAWN	Toni	26/09/13
CHECKED	Toni Gregory	

CATEGORY: Oil Hyd
LAST AUTHOR: Production
LAST MODIFIED: 1/11/2013
LAST PRINTED: 8/11/2013

<b>ENDEAVOUR oil hyd residential lift</b>		
Generic Drawing		
SIZE: A3	SHEET 1 OF 1	Dimensions: mm (unless specified)

Option of  
 900 x 1300 x 2100 lift car or  
 1100 x 1400 x 2100 lift car  
 Australian Standard 1735 part 18