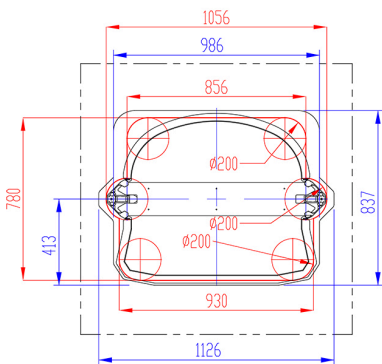


Shaft and door



Floor cutout